

Ridged Horn Antenna 0.9-8 GHz

ELL-A3D-SP-00900800-01



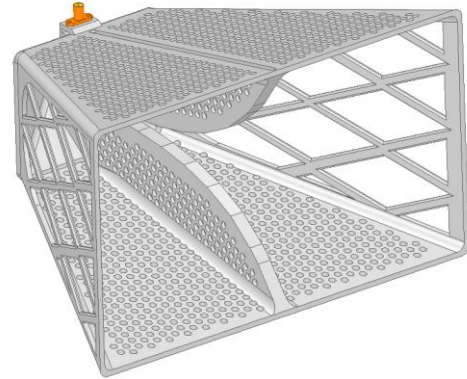
Description

This ridged horn antenna operates for a frequency from 0.9 GHz to 8 GHz.

The gain goes from 5 dBi at 0.9 GHz to 17 dBi at 8 GHz.

This antenna is lighter than traditional horn antenna thanks to its innovating additive manufacturing process.

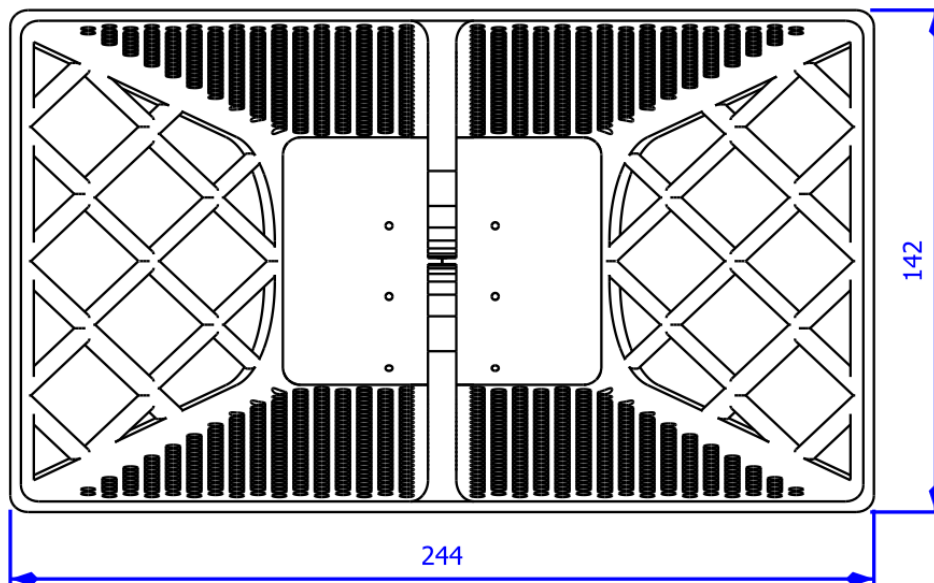
The antenna is fed by a SMA-F connector



Technical specifications

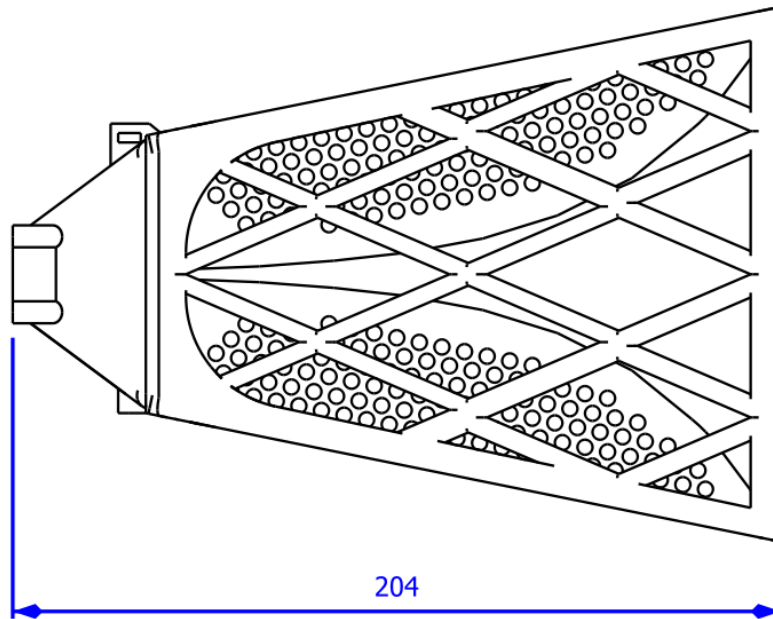
Frequency (GHz)	0.9 – 8 GHz
Simulated Gain (dB)	12 Typ.
Connector	SMA-F
Size (mm)	244 x 142 x 204
Weight	~350 g

1. Dimensions

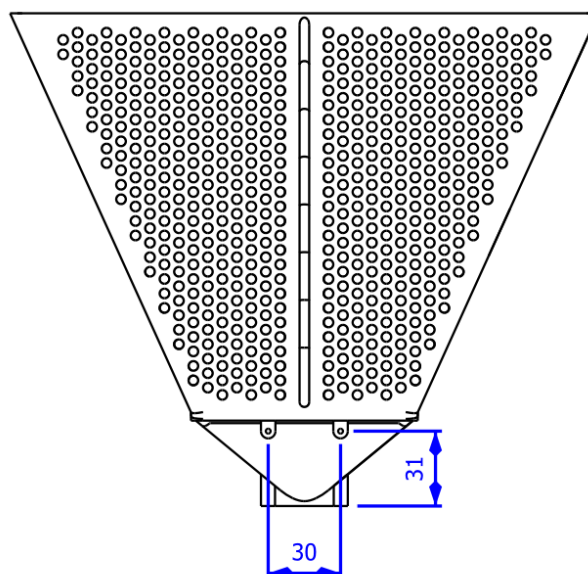
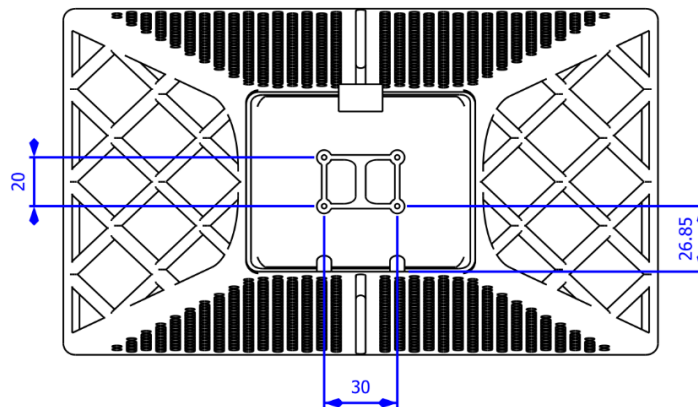


Ridged Horn Antenna 0.9-8 GHz

ELL-A3D-SP-00900800-01



2. M2 screws mount (custom-made bracket on demand)



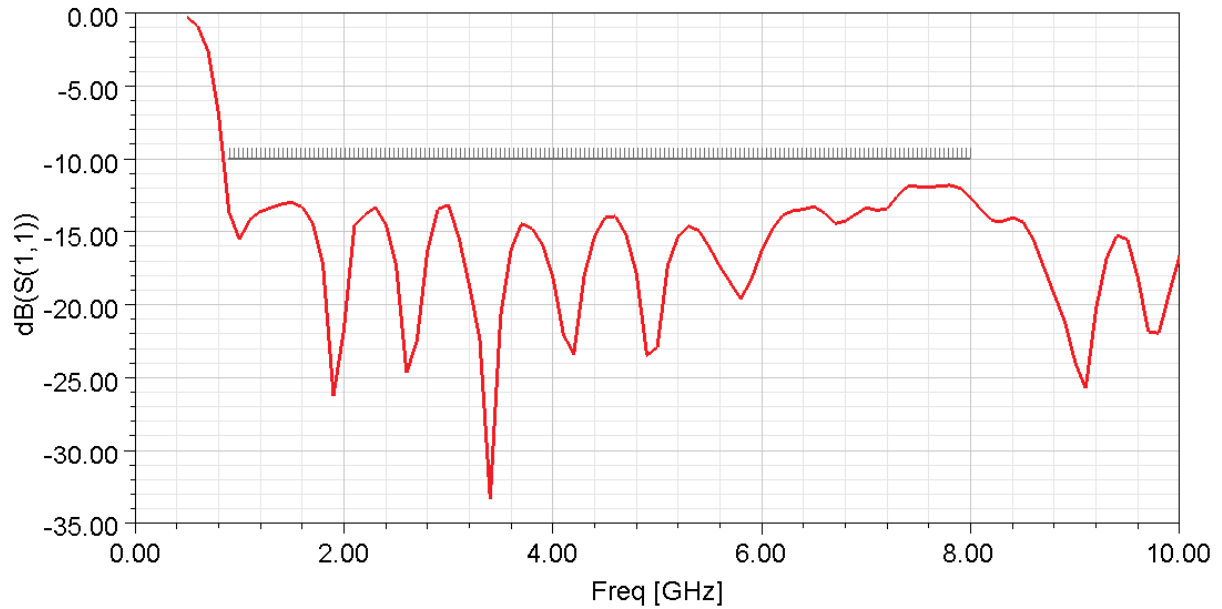
Ridged Horn Antenna 0.9-8 GHz

ELL-A3D-SP-00900800-01

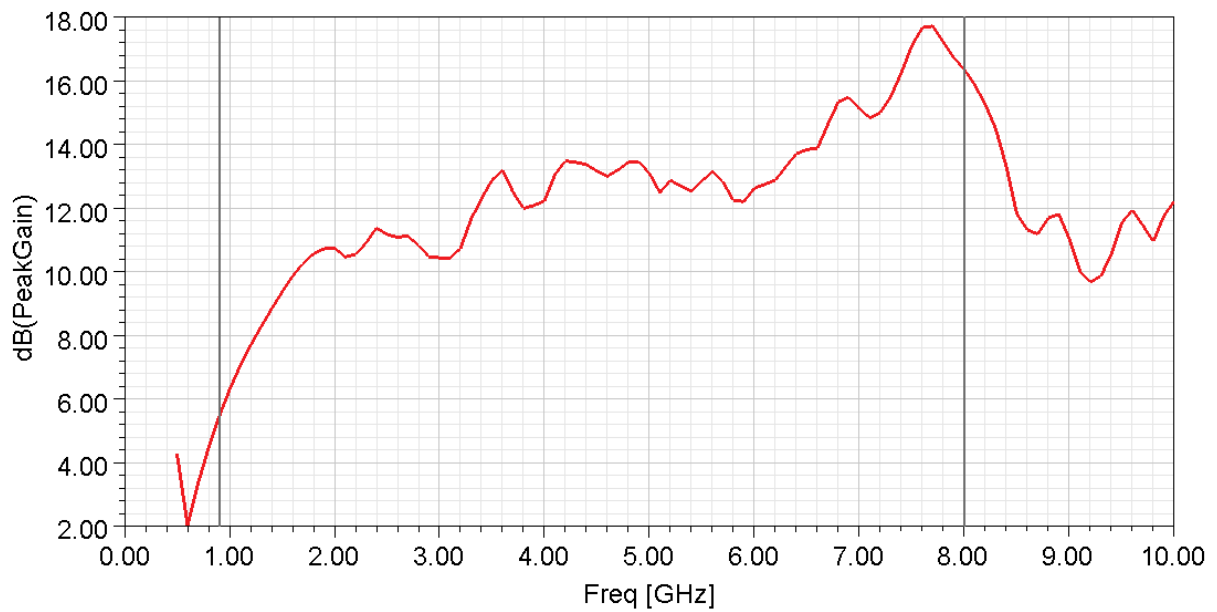


Simulation results

1. S11



2. Gain



Ridged Horn Antenna 0.9-8 GHz

ELL-A3D-SP-00900800-01



3. Radiation pattern

