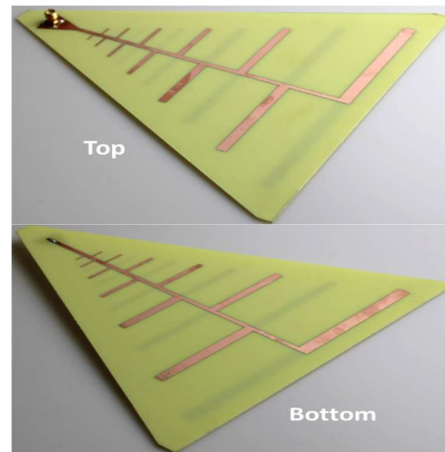




# Log Periodic Dipole Array: 0.8-6 GHz / 6 dBi **elliptika**<sup>®</sup>

## Description

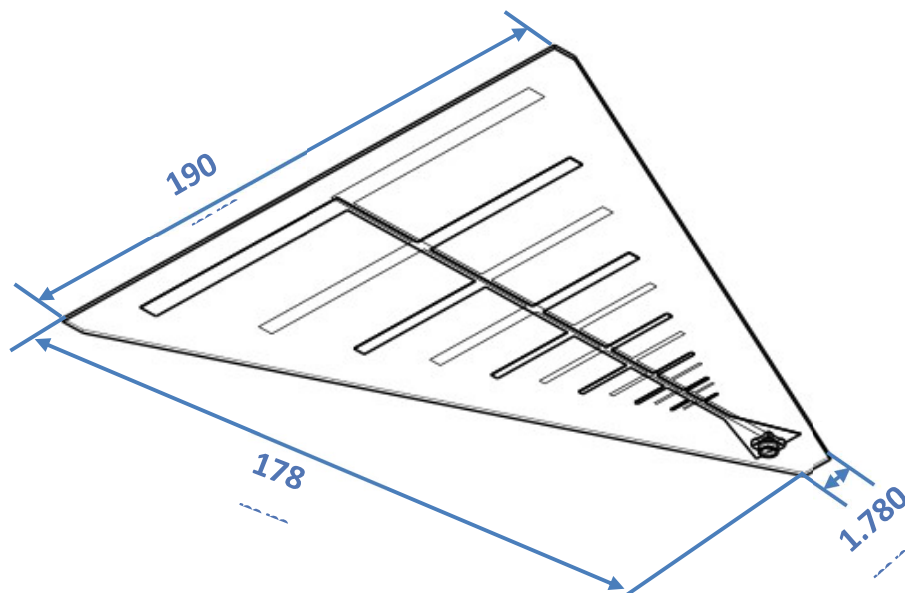
This Log periodic Dipole Array (LPDA) antenna operates at frequency from 0.8 GHz to 6 GHz. The gain goes from -0.6 dB at 0.8 GHz to 6 dB at 6 GHz. This ultra-wide band antenna as the particularity to be extremely light.



## Technical specifications

|                     |                 |
|---------------------|-----------------|
| Frequency (GHz)     | 0.8 – 6 GHz     |
| Simulated Gain (dB) | 6 Typ.          |
| Connector           | SMA-F           |
| Size (mm)           | 190 x 170 x 1.6 |
| Weight              | ~190 g          |

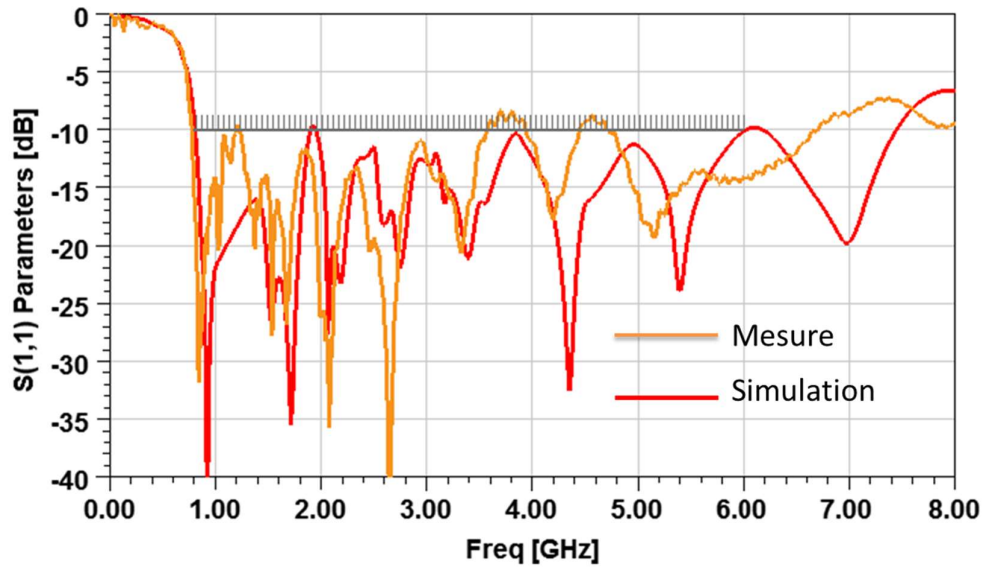
## Dimensional Drawing



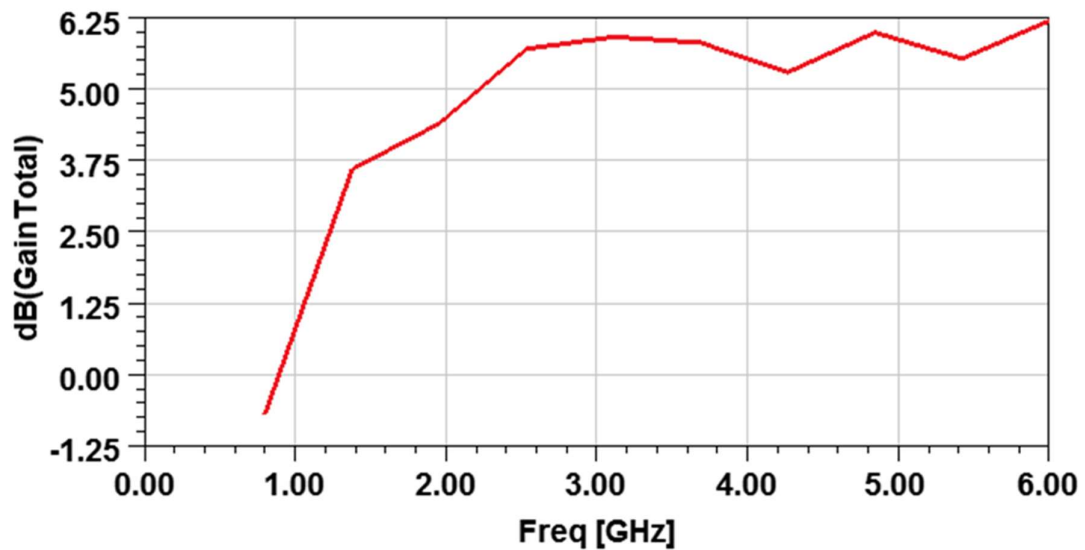


## Simulation results

### 1. S11



### 2. Gain





# Log Periodic Dipole Array: 0.8-6 GHz / 6 dBi **elliptika**<sup>®</sup>

## 3. Radiation pattern

